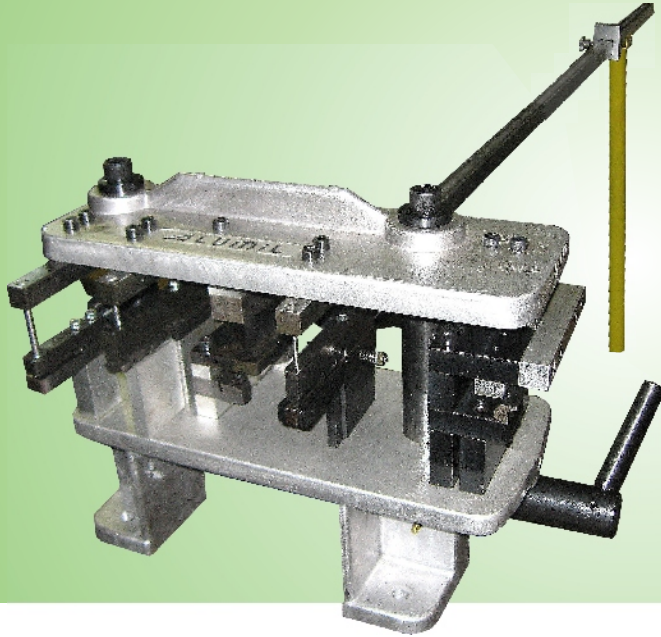


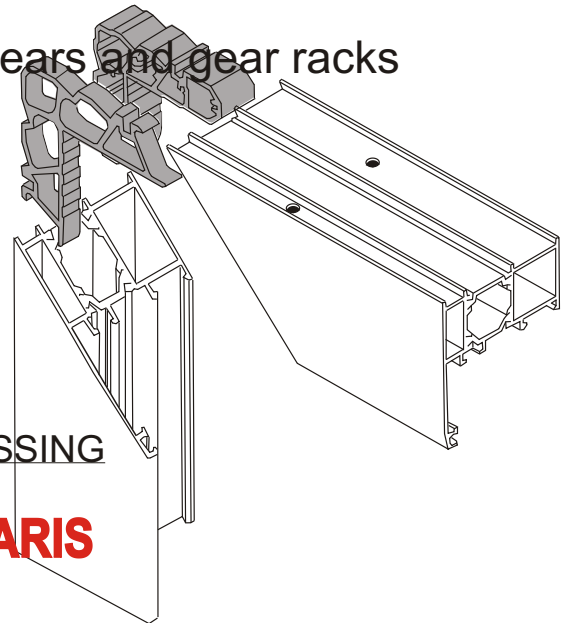
- **ALUMiL** SYSTEM



MANUAL PUNCH MACHINE BS 6500

**For punching
holes
in AL profiles**

- ✓ 6 punching tools system
- ✓ Tool steel punches therm ally treated
- ✓ Good punching mechanism, powered by gears and gear racks
- ✓ Easy to close the press – lever operated punching, spring operated punch returning
- ✓ Working stroke 23 mm
- ✓ Dimensions 480 x 380 x 180 mm
- ✓ Mass 38 kg



ALUMiL PROFILE TYPES FOR PROCESSING

tip M 20650 - SOLARIS