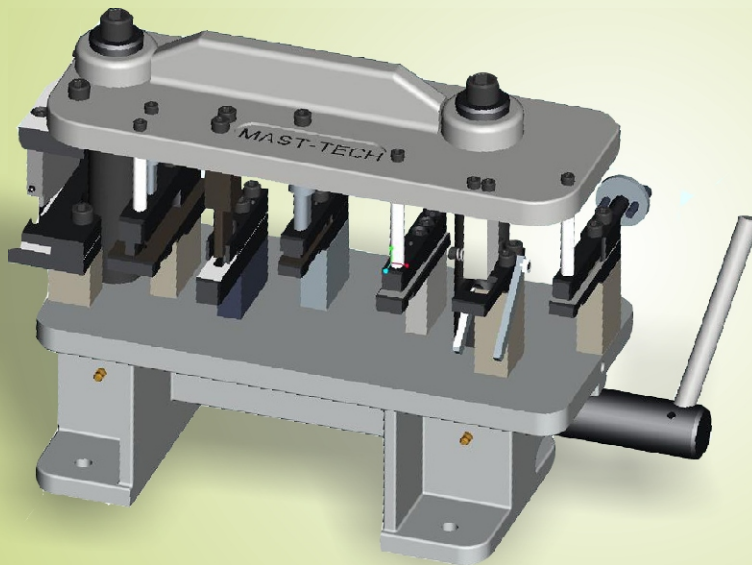


– MASTTECH system



MANUAL PUNCH MACHINE BS 9300

For punching
holes
in AL profiles

- ✓ 7 punching tools system
- ✓ Tool steel punches therm ally treated
- ✓ Good punching mechanism, powered by gears and gear racks
- ✓ Easy to close the press – lever operated punching, spring operated punch returning
- ✓ Working stroke 23 mm
- ✓ Dimensions 480 x 380 x 180 mm
- ✓ Mass 32 kg

MASTTECH PROFILE TYPES FOR PROCESSING

**type P24-002, P24-201, P24-202, P24-103,
type P40-101, P40-102,
type P40-401, P40-402, P40-404, P40-405**

