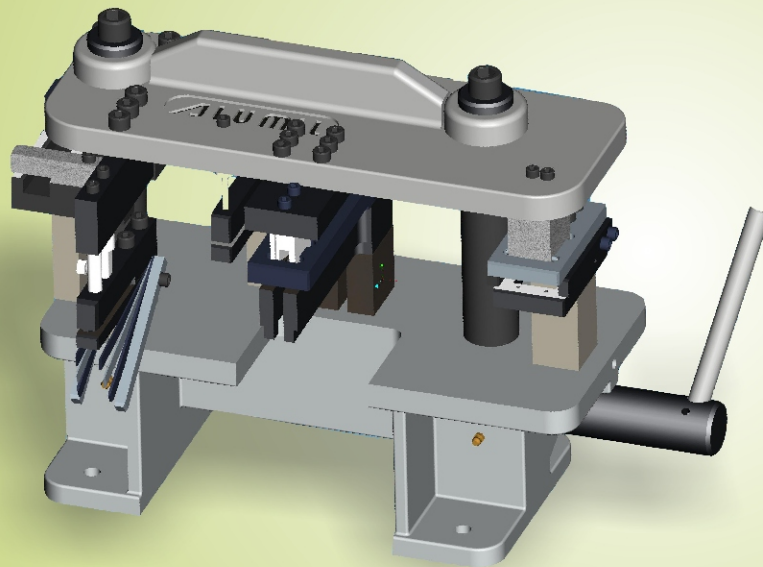


– **ALUMiL** system



**MANUAL
PUNCH MACHINE
BS 7500**

**For punching
holes
in AL profiles**

- ✓ 5 punching tools system
- ✓ Tool steel punches therm ally treated
- ✓ Good punching mechanism, powered by gears and gear
- ✓ Easy to close the press – lever operated punching, spring operated punch returning
- ✓ Working stroke 23 mm
- ✓ Dimensions 480 x 380 x 180 mm
- ✓ Mass 37 kg

ALUMiL PROFILE TYPES FOR PROCESSING

tip M 14386, M 14218,
S 452, S 476, S 474, S 478, S 488, S 490,
tip S 486, S 468, S 462, S 452

